

HEAVY DUTY SOFT-DOWN STAY GS-HDSN-30 For Use in Pairs

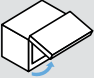


Right side installation shown.

[Applicable Range]

- Choose from 4 types according to maximum door moment.
- Maximum door moment (N · m) = Door weight (kg) × 9.80665 × Distance from rotation centre to door centre of gravity (m)

Maximum door moment N · m		Model	Qty
Opening angle 90°	Opening angle 80°		
13.7~17.5	13.7~19.5	K	2 pcs
17.6~21.5	19.6~24.4	M	
21.6~25.4	24.5~29.3	H	
25.5~29.4	29.4~34.3	S	

Opening Direction	Description	Non-handed	Model	Maximum Door Moment
 Upward-opening	With Catch For Use in Pairs	-	K	13.7~19.5 N · m/2 pcs (140~199 kgf · cm/2 pcs)
			M	19.6~24.4 N · m/2 pcs (200~249 kgf · cm/2 pcs)
			H	24.5~29.3 N · m/2 pcs (250~299 kgf · cm/2 pcs)
			S	29.4~34.3 N · m/2 pcs (300~350 kgf · cm/2 pcs)

- For upward-opening doors.
- Designed to hold the door in closed and opened position and close the door softly.
- Secures enough space for shelf board.
- Can be easily and quickly installed on mounting plate.
- Maximum moment of GS-HDSN is 34.3N · m (for opening angle 80° only), while conventional GS-HDS is only 29.4N · m.
- Mounting plate (sold separately) suitable for 20mm aluminium frame available.

[Specifications]

- Operating temperature: 0°C~40°C

[Remarks]

- Be sure to read the "Cautions"
- Handed: Specific left and right-handed.
- Hinges not included. Customer should provide concealed hinges (without catch) or single knuckle hinges.
- 1 mounting plate (sold separately) is necessary for 1 stay body.
- Used in pairs.

[Parts Included]

- Mounting plate
- Binding head tapping screw 3.5× 15

[Sold Separately]

- Mounting Plate GS-HDSN-SZ, GS-HDSN-AZ

Video Link



Selection Tool

Sasuga-kun

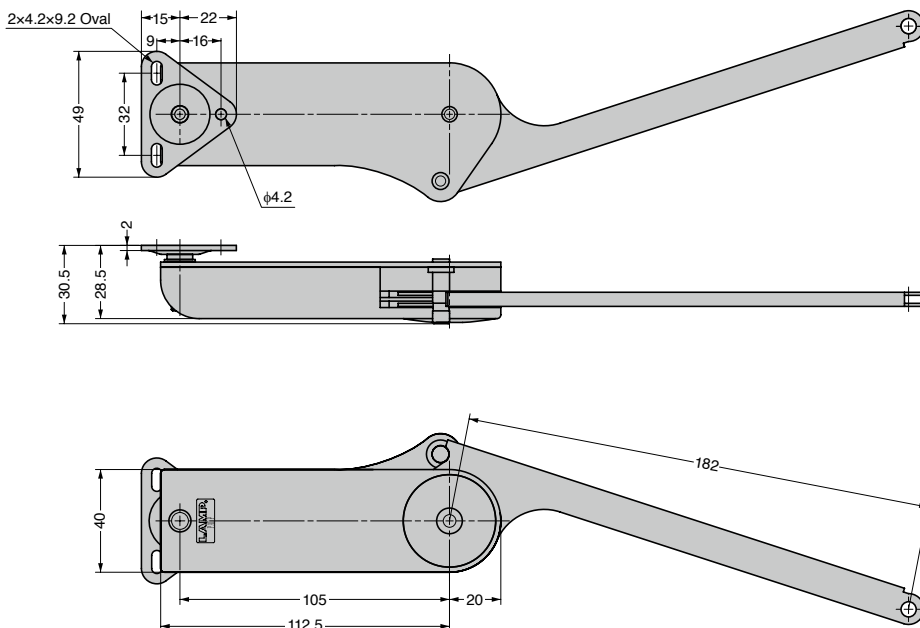
Applicable Products

Used for Product

Selection &

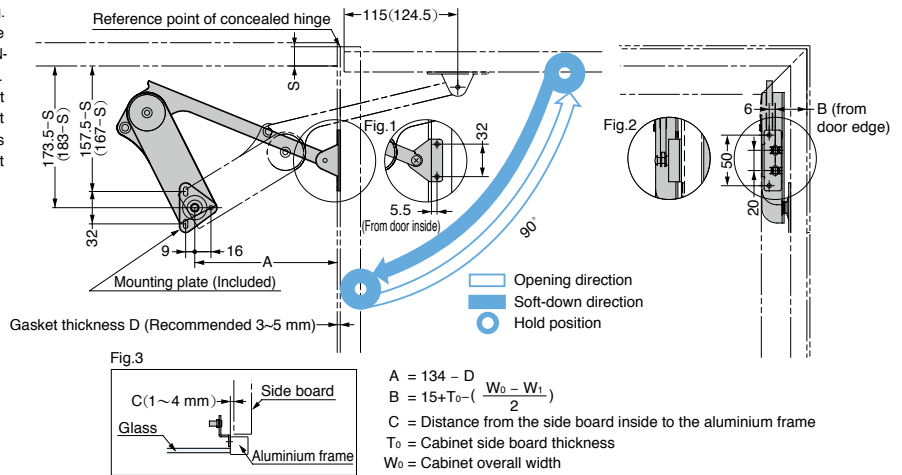
Simulation.

Available on Web!



[Installation] 45mm or more aluminium frame door or wooden door (HDSN-SZ) and opening angle 90°

- () Dimensions for 80° opening. Figures 1, 2 and 3 are in case of using mounting plate (GS-HDSN-AZ) for 20mm aluminium frame.
- Dimensions for door with gasket shown. Without gasket, shift stay installation position towards back panel side by gasket thickness D.



Item Name	Type	Material	Finish/ Colour	Model	Maximum Door Moment/2 pcs				Weight (g)
					Opening angle 90° / (N·m)	Opening angle 90° / (kgf·cm)	Opening angle 80° / (N·m)	Opening angle 80° / (kgf·cm)	
GS-HDSN-30KL	Left-handed	ABS/ Steel	Nickel/ Light Grey	K	13.7~17.5	140~179	13.7~19.5	140~199	366
GS-HDSN-30KR	Right-handed				283				
GS-HDSN-30ML	Left-handed			M	17.6~21.5	180~219	19.6~24.4	200~249	415
GS-HDSN-30MR	Right-handed				415				
GS-HDSN-30HL	Left-handed			H	21.6~25.4	220~259	24.5~29.3	250~299	415
GS-HDSN-30HR	Right-handed				415				
GS-HDSN-30SL	Left-handed			S	25.5~29.4	260~300	29.4~34.3	300~350	415
GS-HDSN-30SR	Right-handed						393		